

SENTINEL GUARDSTM

GAUGE GUARDS & DIAPHRAGM SEALS

ISOLATE AND PROTECT PROCESS SYSTEM INSTRUMENTATION.



LIFETIME GUARANTEED!

Purchase with confidence. Our SENTINEL Diaphragm Seal and Gauge Guard housings and diaphragms are unconditionally guaranteed not to fail for life or we will replace them at absolutely no cost to you.

Unconditional lifetime guarantee does not include gauges and other instrumentation.



GET QUOTES QUICKLY ONLINE:

For quick and simple pricing requests, the SENTINEL Diaphragm Seals and Gauge Guards are now available online at **Blacoh.com**. Visit the **SpeedQuote** to instantly get a spec-sheet drawing and quote. Also online is the **E-Configurator** to easily select size and material to find the right model for your application. Available 24/7.



ABOUT

SENTINEL Gauge Guards

SENTINEL Diaphragm Seals, also referred to as Gauge Guards, employ a chemically resistant diaphragm to effectively isolate process fluids from gauges and other system instrumentation. Without proper protection, process fluids regularly contaminate and damage in-line system instrumentation. The strength and durability of SENTINEL diaphragm seals isolate and protect all forms of system instrumentation from the hazards of corrosive process fluids.



SENTINEL Diaphragm Seals are easily installed, come in a variety of chemically resistant materials, and work in both pressure and vacuum conditions.



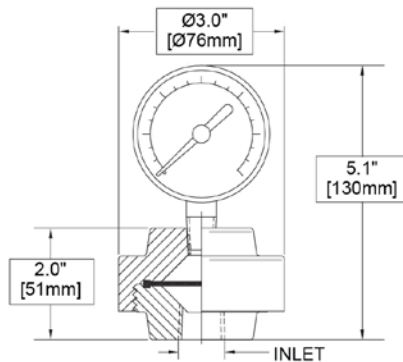
Accurately transfer process pressure without direct contact with process fluids.



Customized or certain customer-provided instrumentation may be factory installed; consult BLACOH for quote.

SENTINEL GAUGE GUARDS™

Plastic Units



Housing:

CPVC
PVC
Polypropylene
PVDF

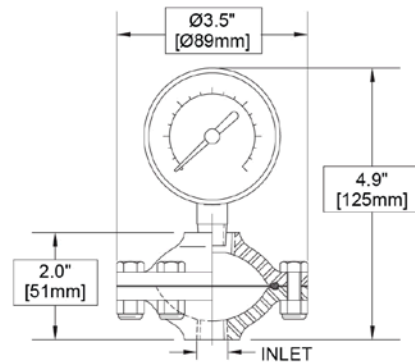
Diaphragm:

EPDM
PTFE
Viton

Inlet Size:

Up to 0.75"

Metal Units



Housing:

316L Stainless Steel
Alloy 20

Diaphragm:

EPDM
PTFE
Viton

Inlet Size:

Up to 0.50"



DETAILS AND SPECIFICATIONS:

- Pressure ranges up to 1,000 psi (68.9 bar)
- Gauge accuracy of + 2% or better full deflection
- All standard models in stock with custom models on request
- FNPT, BSP, Socket Weld, Flange & Tri-Clamp inlets up to 0.75"
- Available with and without a gauge
- NSF/ANSI 61 available on select models

FEATURES & BENEFITS:

- Protects gauges and system instrumentation from process fluid contamination or corrosion.
- Prevents erratic pressure surges and clogging due to solids in process fluids.
- Protects gauges from freezing and slurries.
- Ensures accuracy and reliability of pressure instrumentation when working with corrosive or solid-laden fluids.
- Various gauge options and materials available.

Part of the
BLACOH™
FLUID CONTROL
family of products

